

Sitnaciya urbanističke parcele br.8

Sa Detalnog urbanističkog plana "Ulcinj-grad" lokalitet "Pinješ 2" zona B

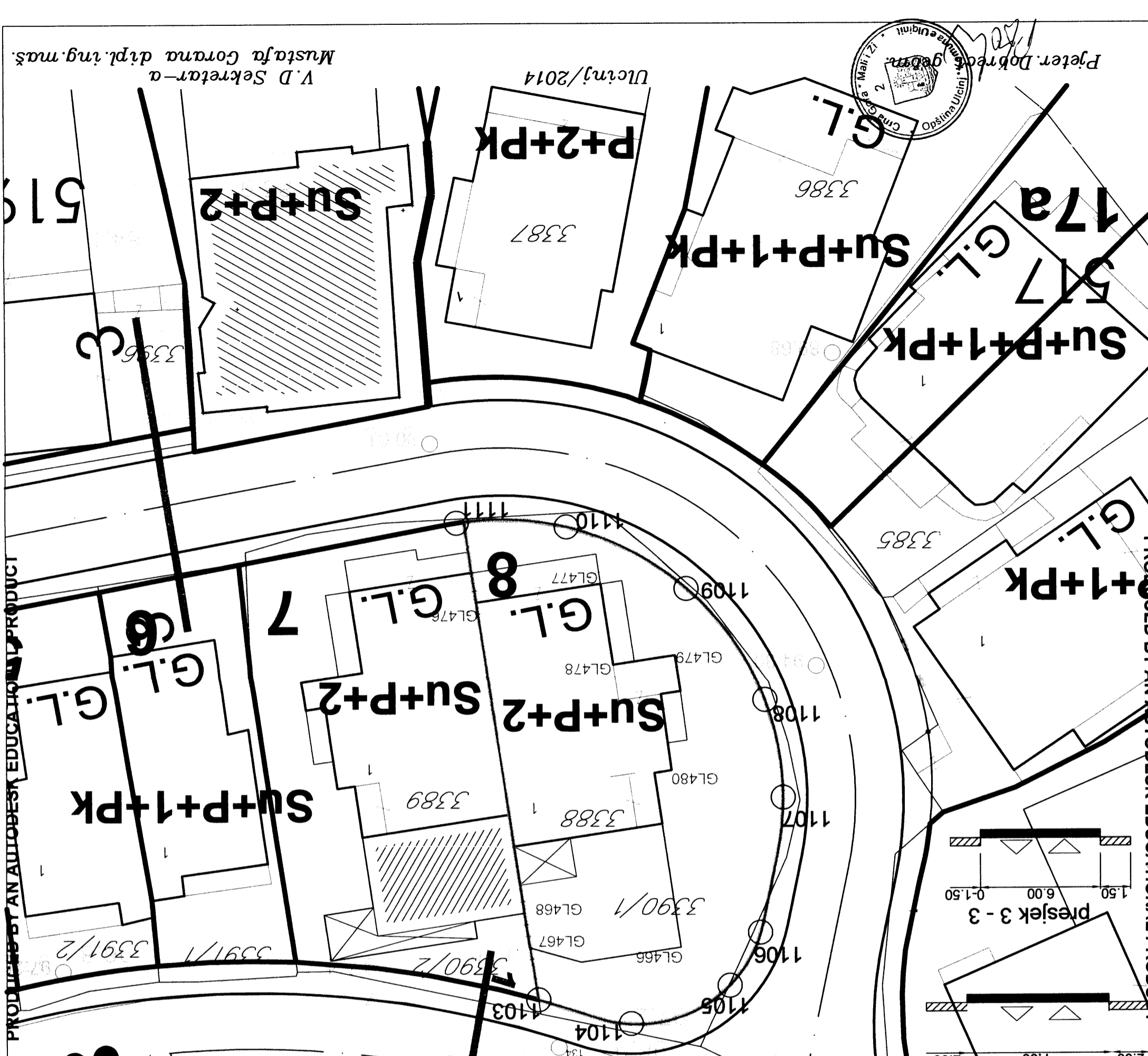
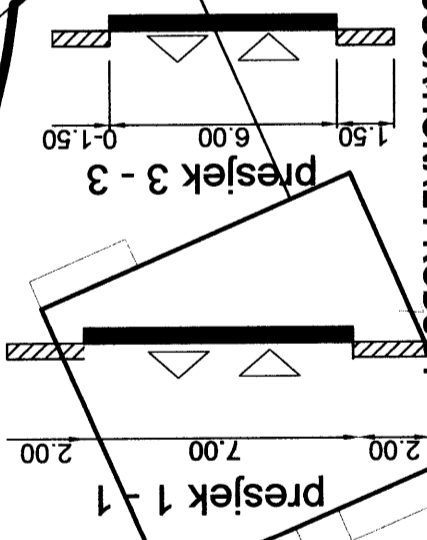
Kordinate urbanističke parcele br.8
R=1,25b

Kordinate urbaničke parcele br.8
1103 660082,96 4643051,40
1104 660081,60 4643052,92
1105 660080,45 4643050,54
1106 660080,54 4643047,22
1107 660080,76 4643038,76
1108 660080,21 4643032,62
1109 660081,30 4643025,63
1110 660080,52 4643021,74
1111 660082,38 4643021,49
Kordinate regulacione linije urb.parc br.8
1103 660082,36 4643051,40
1104 660081,60 4643052,92
1105 660080,45 4643050,54
1106 660080,54 4643047,22
1107 660080,76 4643038,76
1108 660080,21 4643032,62
1109 660081,30 4643025,63
1110 660080,52 4643021,74
1111 660082,38 4643021,49

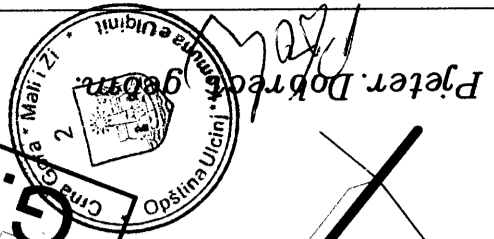
Urb.parc br.8 = 458,20 m²
Dio kat.parc br.3390/1 = 283,20 m² list nepokretnosti 3162 Ko Ulcinj susvojna Osmanovic Jusuf i Elez
Kat.parc br.3388 = 179,00 m² list nepokretnosti 3162 Ko Ulcinj susvojna Osmanovic Jusuf i Elez
Dio kat.parc br.3401/1 = 2,00 m² list nepokretnosti 607 Ko Ulcinj - svojnina Crne Gore
raspolaganje Opstina Ulcinj

Kordinate gradj.linije urb.parc.br.7

GL466 6600813,48 4643048,14
GL467 6600822,91 4643048,14
GL468 6600823,21 4643045,96
GL476 6600826,16 4643026,47
GL477 6600818,41 4643025,31
GL478 6600817,64 4643030,39
GL479 6600813,80 4643029,82
GL480 6600814,03 4643037,04



V.D Sekretar-a
Mustafa Gorana dipl.ing.mas.



PRODUCED BY AN AUTODESK EDUCATIONAL PRODUCT

PRODUCED BY AN AUTODESK EDUCATIONAL PRODUCT